

TABLE OF CONTENTS

HYDRAULIC

FEATURES & BENEFITS OF OUR PTO'S	4-5
SCHEMATIC TYPICAL 6-BOLT PTO6
SCHEMATIC TYPICAL 8-BOLT PTO7
SIX BOLT (6) PTO'S	8-9
EIGHT BOLT (8) PTO'S9
PTO YOKES10
PTO SHAFT ASSY (1310 SERIES)10
U-JOINTS FOR PTO'S11
SLIP YOKES FOR PTO'S11
CONTROL TOWER (CONSOLES)11
CONTROL TOWER VALVES12
CONTROL VALVE KITS12
PUSH/PULL CABLES12
RESERVOIRS13
HYDRAULIC DUMP PUMP C101, C10214
HYDRAULIC DUMP PUMP G101, G10214

DRIVELINE

END YOKES (STANDARD & HALF ROUND)	16-17
UNIVERSAL JOINTS18
SLIP YOKES19
CENTER BEARINGS19
WELD YOKES20
SPLINED STUB ENDS20
FLANGE YOKES21
PTO END YOKES21
HALF ROUND U-JOINT STRAPS22
U-BOLT KITS23
PTO NON-WELDED ASSY23

ENGINE WATER PUMP

CUMMINS® TYPE WATER PUMPS28-29
I.H.C.® TYPE WATER PUMPS29
CATERPILLAR® TYPE WATER PUMPS30
DETROIT DIESEL® TYPE WATER PUMPS30-31
MACK® TYPE WATER PUMPS31
FORD® TYPE WATER PUMPS31
CUMMINS® TYPE IDLERS32

POWER STEERING

POWER STEERING REBUILD KITS36
POWER STEERING SECTOR SHAFTS37
DRAG LINKS37
KING PIN KITS38-40
TIE ROD ENDS41-42

WARRANTY46
-----------------------	------------

DISCLAIMER

PARTS LISTED IN THIS CATALOG ARE NOT NECESSARILY MANUFACTURED BY THE ORIGINAL EQUIPMENT MANUFACTURER AND ANY REFERENCE TO THE TRADEMARKS OR PART NUMBERS OF OTHERS ARE FOR CROSS REFERENCE INFORMATIONAL PURPOSES ONLY. THE PHOTOS PROVIDED HEREIN ARE PROVIDED ONLY FOR ILLUSTRATIVE PURPOSES. THE ACTUAL PRODUCTS SUPPLIED MAY DIFFER. THE TRADEMARKS OF OTHERS REFERRED TO HEREIN ARE OWNED BY THEIR RESPECTIVE COMPANIES AND ARE NOT AFFILIATED IN ANY WAY WITH MIDWEST TRUCK & AUTO PARTS, INC.™. MOTIVE GEAR® AND MOTIVE GEAR PERFORMANCE® ARE REGISTERED TRADEMARKS, AND WORLD AMERICAN™ IS A TRADEMARK OF MIDWEST TRUCK & AUTO PARTS, INC.™. USE OF THE ‘®’ IN CONNECTION WITH A MARK OF MIDWEST TRUCK & AUTO PARTS, INC.™ INDICATES THAT THE MARK IS REGISTERED IN AT LEAST THE UNITED STATES. NO REPRESENTATION IS MADE WITH RESPECT TO THE SOURCE OF MANUFACTURE OF ANY PARTICULAR PART. WHILE EVERY EFFORT IS MADE TO PROVIDE ACCURATE INFORMATION, NO GUARANTEE IS PROVIDED AS TO THE ACCURACY OF THE INFORMATION CONTAINED HEREIN. WE ARE NOT RESPONSIBLE FOR TYPOGRAPHICAL ERRORS. © 2007, MIDWEST TRUCK & AUTO PARTS, INC.™ ALL RIGHTS RESERVED.



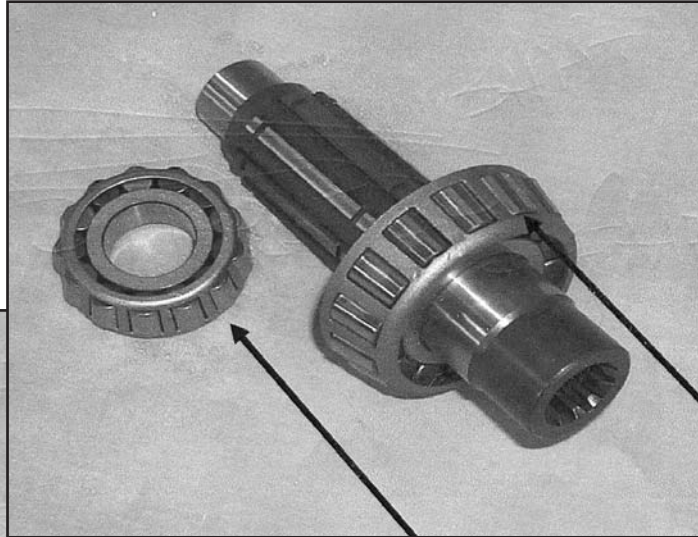
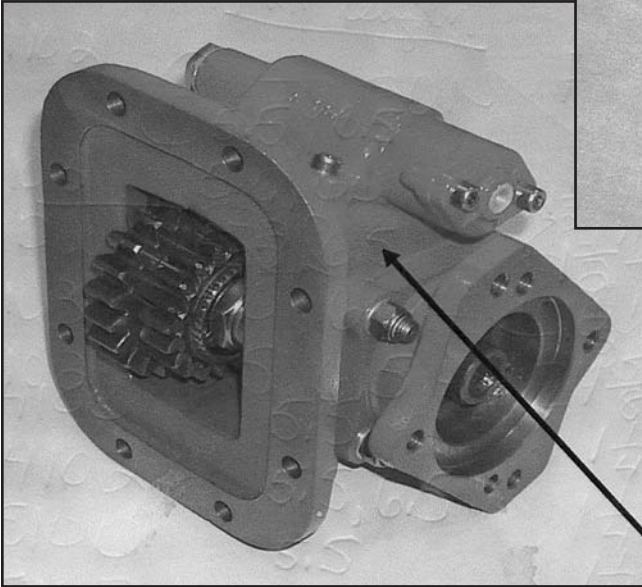
HYDRAULIC TABLE OF CONTENTS

FEATURES & BENEFITS OF OUR PTO'S	6-7
SCHEMATIC TYPICAL 6-BOLT PTO	8
SCHEMATIC TYPICAL 8-BOLT PTO	9
SIX BOLT (6) PTO'S	10-11
EIGHT BOLT (8) PTO'S	11
PTO YOKES	12
PTO SHAFT ASSY (1310 SERIES)	12
U-JOINTS FOR PTO'S	13
SLIP YOKES FOR PTO'S	13
CONTROL TOWER (CONSOLES)	13
CONTROL TOWER VALVES	14
CONTROL VALVE KITS	14
PUSH/PULL CABLES	14
RESERVOIRS	15
HYDRAULIC DUMP PUMP C101, C102	16
HYDRAULIC DUMP PUMP G101, G102	16

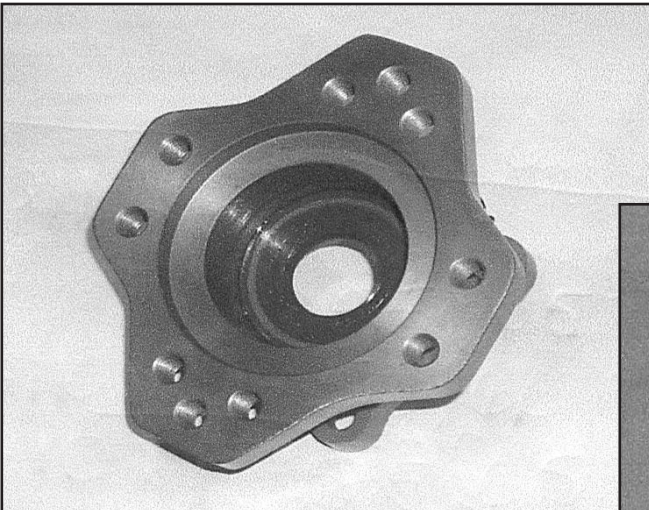


FEATURES & BENEFITS OF OUR PTO'S

Our Power Take Off Housing is **made from CAST IRON**. The competition offers an aluminum construction. Cast iron is the material of choice for heavy duty applications.

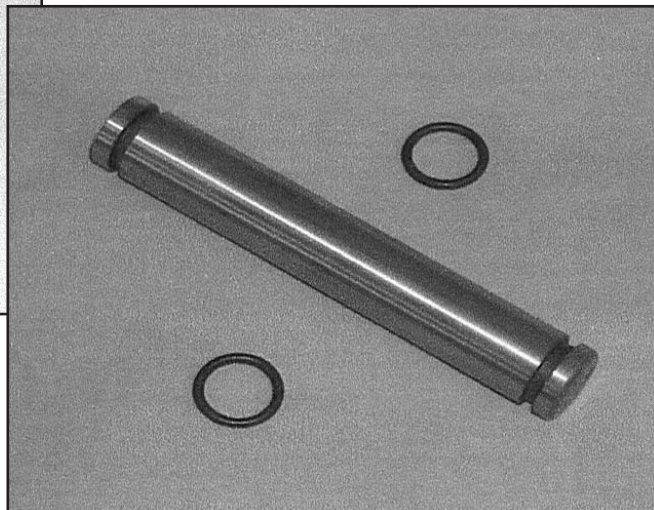


We use **large tapered bearings** on both ends of the output shaft, affording the user extended life and trouble-free service of our Power Take Off.

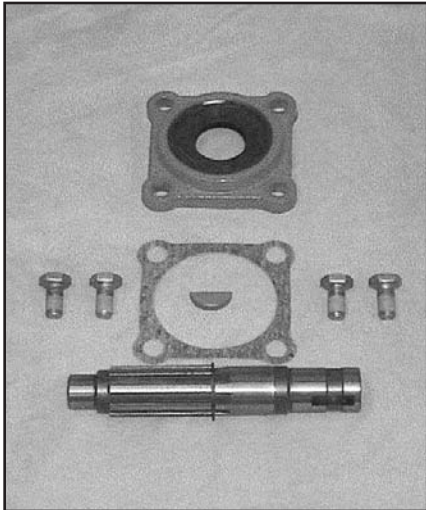
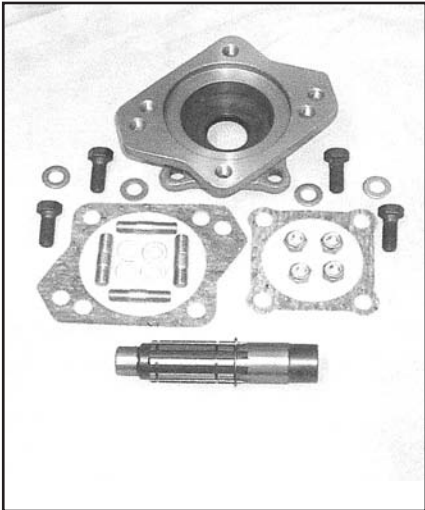
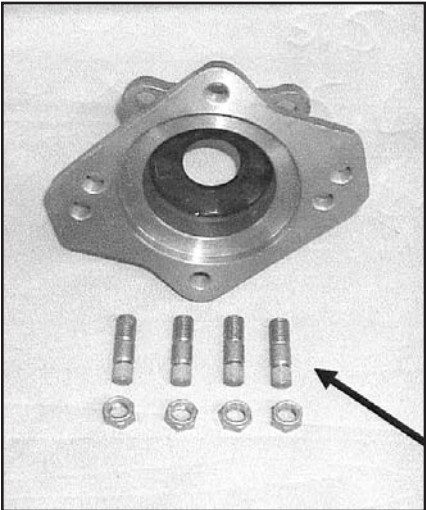


Our **CAST IRON ROTATABLE FLANGE WITH DOUBLE LIP SEAL**, gives you a solid, versatile connection between the pump and PTO. Others offer only aluminum.

The large diameter idler pin assembly utilizes internally mounted o-rings, away from all of the road grime. Our **idler pin is held in place by a snap-ring**; which means there are **NO** set screws to vibrate loose.

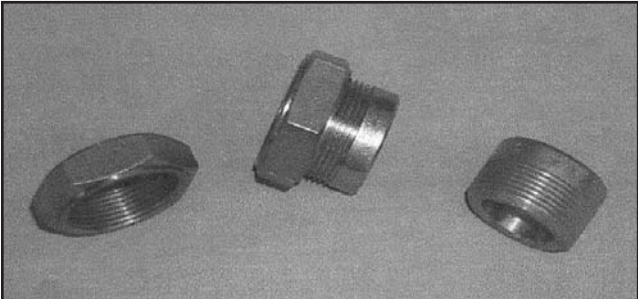


FEATURES & BENEFITS OF OUR PTO'S

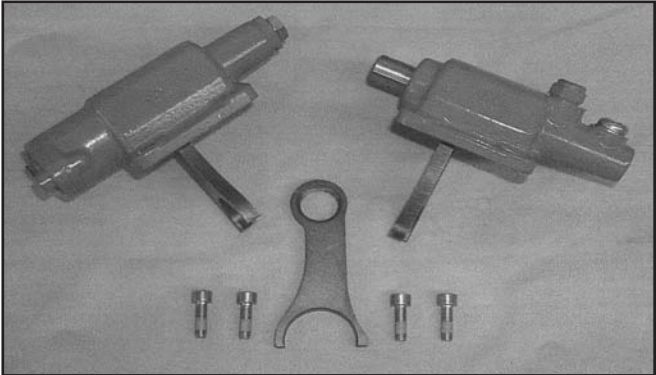


The 12mm (approximately 1/2") Vibra-Tite® coated assembly studs, Ny-Lock® Nuts and gaskets between all mating parts maintain the integrity of our assemblies during the constant vibration caused by the road and connections between mechanical components.

The competition uses NO gaskets and much smaller assembly bolts.



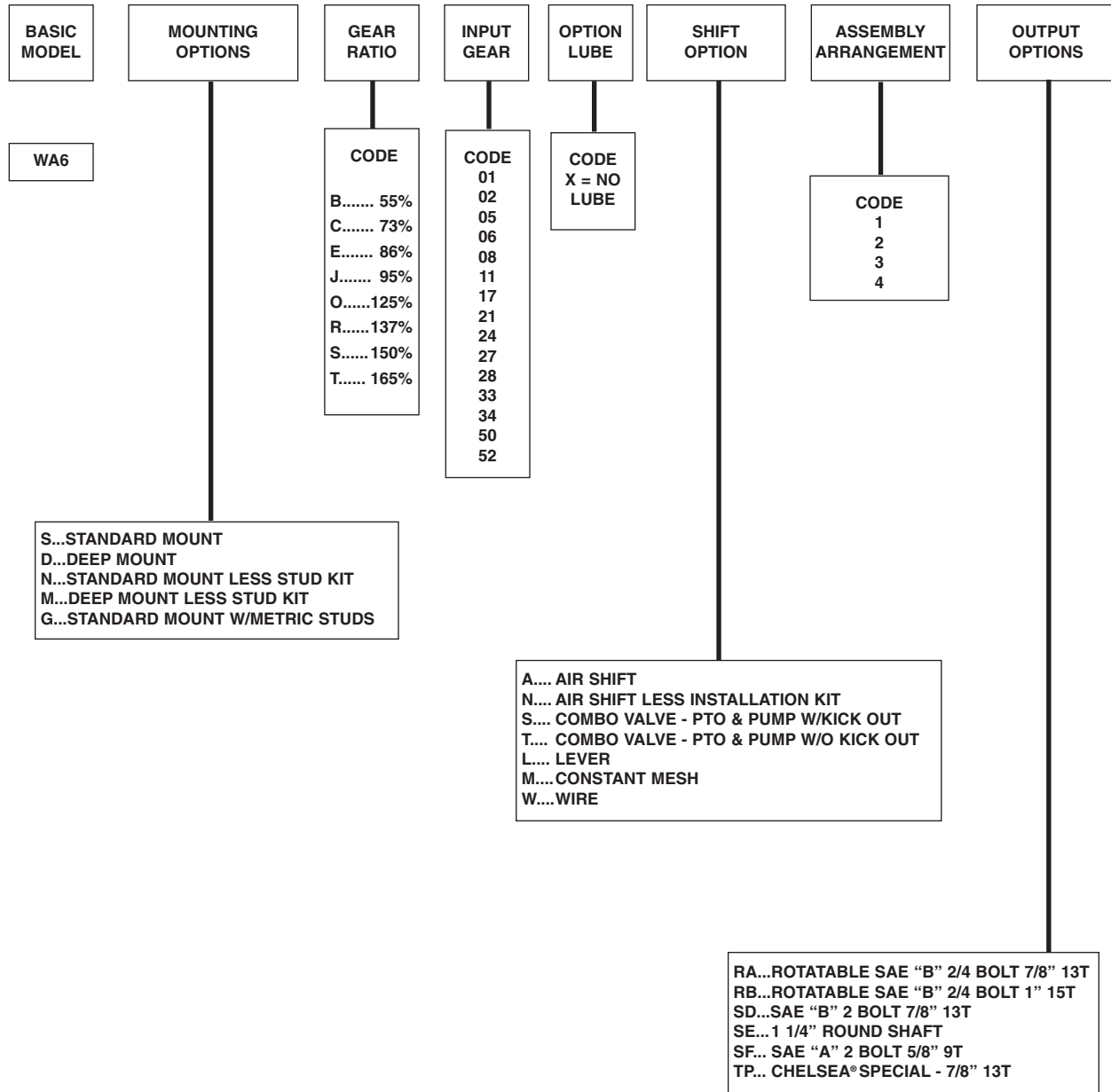
The **Expandable Adjusting Nut** for adjusting input gear endplay is a time and money saver. It also provides a slight preload on bearings for longer bearing life. No more fighting shims to get the proper endplay adjustment.



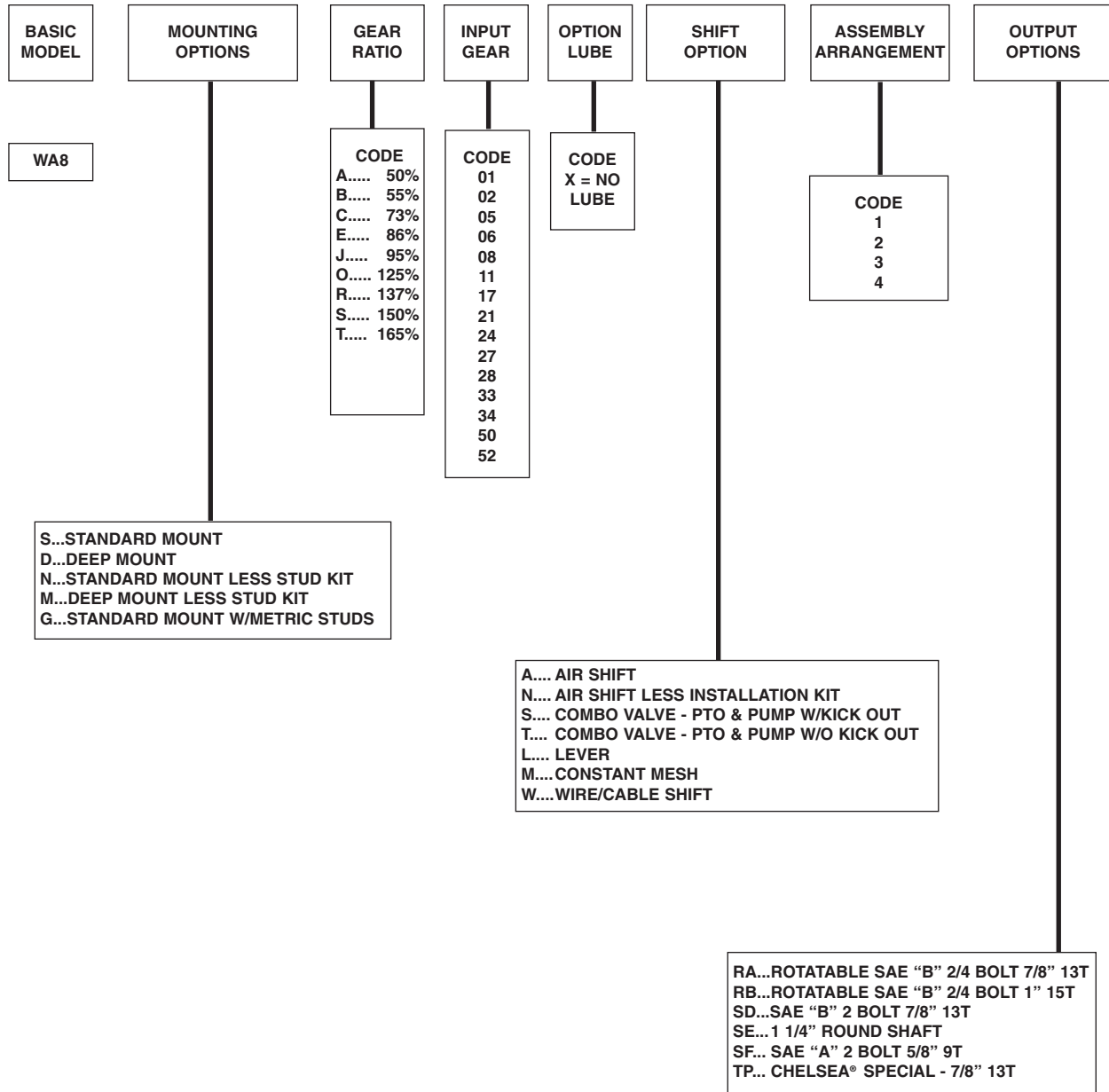
Our **steel shifting fork** offers the strength needed under the toughest of shifting conditions.



SIX BOLT P.T.O. - WA6-MODEL



TYPICAL EIGHT BOLT P.T.O. - WA8-MODEL



6 BOLT PTO'S

"6 BOLT" REMOTE MOUNT AIR SHIFT PTO WITH AIR CONTROL KIT



WA6ST01X-A1SE

WA#	CHELSEA® REF. #	MUNCIE® REF. #
WA6SE01X-A1SE	442XZAHX-A3XD	TG6SU6808-A1BX
WA6SB01X-A1SE	442XFAHX-A3XD	TG6SU6806-A1BX
WA6SO01X-A1SE	442XSAHX-A3XD	TG6SU6812-A1BX
WA6SJ01X-A1SE	442XRAHX-A3XD	TG6SU6809-A1BX
WA6SB01X-A3SE	442XFAHX-A5XD	-
WA6ST01X-A1SE	442XWAHX-A3XD	-
WA6ST01X-A3SE	442XWAHX-A5XD	-
WA6ST33X-A3SE	442XSAPX-A5XD	-
WA6ST33X-A1SE	442XSAPX-A3XD	-
WA6ST34X-A3SE	442XSFNX-A5XD	-
WA6ST34X-A1SE	442XSFNX-A3XD	-
WA6ST33X-A3SE	442XWAPX-A5XD	-
WA6ST33X-A1SE	442XWAPX-A3XD	-
WA6ST34X-A3SE	442XWFNX-A5XD	-
WA6ST34X-A1SE	442XWFNX-A3XD	-
WA6SE01X-A3SE	442XQAHX-A5XD	-
WA6DB24X-A3SE	442ZFDAX-A5XD	-
WA6DE24X-A3SE	440ZQDAK-A5XD	-



WA6DB24X-A1SE

"6 BOLT" REMOTE MOUNT AIR SHIFT PTO WITHOUT AIR CONTROL KIT



WA6SE01X-N1RA

WA#	CHELSEA® REF. #	MUNCIE® REF. #
WA6SE01X-N1SE	442XQAHX-V3XD	TG6SU6808-P1BX
WA6SB01X-N1SE	442XFAHX-V3XD	TG6SU6806-P1BX
WA6SO01X-N1SE	442XSAHX-V3XD	TG6SU6812-P1BX
WA6SJ01X-N1SE	442XRAHX-V3XD	TG6SU6809-P1BX

"6 BOLT" DIRECT MOUNT AIR SHIFT PTO WITHOUT AIR CONTROL KIT



WA6SE01XN1SE

WA#	CHELSEA® REF. #	MUNCIE® REF. #
WA6SE01X-N1RA	442XQAHX-V3XK	TG6SU6808-P1KX
WA6SB01X-N1RA	442XFAHX-V3XK	TG6SU5805-P3XK
WA6SO01X-N1RA	442XSAHX-V3XK	TG6SU6812-P1KX
WA6SJ01X-N1RA	442XRAHX-V3XK	TG6SU6809-P1KX

"6 BOLT" DIRECT MOUNT AIR SHIFT PTO WITH HARDWARE



WA6SE01X-W1RA

WA#	CHELSEA® REF. #	MUNCIE® REF. #
WA6SE01X-W1RA	442XQAHX-W3XK	TG6SU6808-C1KX
WA6SB01X-W1RA	442XFAHX-W3XK	TG6SU6806-C1XK
WA6SO01X-W1RA	442XSAHX-W3XK	TG6SU6812-C1KX
WA6SJ01X-W1RA	442XRAHX-W3XK	TG6SU6809-C1KX

"6 BOLT" REMOTE MOUNT CABLE SHIFT PTO WITH HARDWARE



WA8SJ01X-S3RA

WA#	CHELSEA® REF. #	MUNCIE® REF. #
WA6SE01X-W1SE	442XQAHX-W3XD	TG6SU6808-C1BX
WA6SB01X-W1SE	442XFAHX-W3XD	TG6SU6806-C1BX
WA6SO01X-W1SE	442XSAHX-W3XD	TG6SU6812-C1BX
WA6SJ01X-W1SE	442XRAHX-W3XD	TG6SU6809-C1BX
WA6SR21X-W1XE	442XUGSX-W3XD	-
WA6SJ50X-W1SE	442RHYX-W3XD	-

"6 BOLT" DIRECT MOUNT AIR SHIFT PTO WITH AIR CONTROL KIT

WA#	CHELSEA® REF. #	MUNCIE® REF. #
WA6SE01X-A1RA	442XQAHX-A3XK	TG6SU6808-A1KX
	442XFAHX-A3XK	
WA6SB01X-A1RA	442XFAHX-A3XK	TG6 SU6806-A3XK
WA6SO01X-A1RA	442XSAHX-A3XK	TG6SU6812-A1KX
WA6SJ01X-A1RA	442XRAHX-A3XK	TG6SU6809-A1KX
WA6SE27X-A3RA	442XQEV-A5XK	-
	442XFAHX-A5RB	
WA6SB01X-A3RA	442XFAHX-A5XK	-
	442XWAHX-A3RB	
WA6ST01X-A1RA	442XWAHX-A5XK	-
	442XWAHX-A5RB	
WA6ST01X-A3RA	442XWAHX-A5XK	-
	442XSAPX-A3RB	
WA6SO33X-A1RA	442XSAPX-A3XK	-
	442XSAPX-A5RB	
WA6SO33X-A3RA	442XSAPX-A5XD	-
	442XSFNX-A3RB	
WA6SO34X-A1RA	442XSFNX-A3XK	-
	442XSFNX-A5RB	
WA6SO34X-A3RA	442XSFNX-A5XK	-
	442XWAPX-A3RB	
WA6ST33X-A1RA	442XWAPX-A3XK	-
	442XWAPX-A5RB	
WA6ST33X-A3RA	442XWAPX-A5XK	-
	442XWAPX-A5RB	
WA6ST34X-A1RA	442XWFNX-A3RB	-
	442X2FNX-A5RB	
WA6ST34X-A3RA	442XWFNX-A5XK	-
	442ZFDAX-A3RB	
WA6DB24X-A1RA	44ZFDAX-A3XK	-
	442ZFDAX-A3RB	
WA6DB24X-A3RA	442ZFDAX-A3XK	-

"6 BOLT" REMOTE MOUNT AIR SHIFT PTO WITH DUAL CONTROL VALVE WITH KICKOUT

WA#	CHELSEA® REF. #	MUNCIE® REF. #
WA6SE01X-S1SE	442XQAHX-U3XD	
WA6SB01X-S1SE	442XFAHX-U3XD	
WA6SO01X-S1SE	442XSAHX-U3XD	
WA6SJ01X-S1SE	442XRAHX-U3XD	

"6 BOLT" REMOTE "DEEP MOUNT" AIR SHIFT WITH INSTALLATION KIT

WA#	CHELSEA® REF. #	MUNCIE® REF. #
WA6DB24X-A1SE	442ZFDAX-A3XD	
WA6DB24X-A3SE	442ZFAHX-A5XD	

"6 BOLT" DIRECT MOUNT AIR SHIFT PTO WITH DUAL CONTROL VALVE WITH KICKOUT

WA#	CHELSEA® REF. #	MUNCIE® REF. #
WA6SE01X-S1RA	442XQHX-U3XK	
WA6SB01X-S1RA	442XFAHX-U3XK	
WA6SO01X-S1RA	442XSAHX-U3XK	
WA6SJ01X-S1RA	442XRAHX-U3XK	

6 & 8 BOLT PTO'S

"6 BOLT" REMOTE MOUNT AIR SHIFT PTO WITH DUAL CONTROL VALVE WITHOUT KNOCKOUT

WA#	CHELSEA® REF. #	MUNCIE® REF. #
WA6SE01X-U1SE	442XQAHX-U3XD	
WA6SB01X-U1SE	442XFAHX-U3XD	
WA6SO01X-U1SE	442XSAHX-U3XD	
WA6SJ01X-U1SE	442XRAHX-U3XD	

"8 BOLT" REMOTE MOUNT AIR SHIFT PTO WITH DUAL CONTROL VALVE WITH KICKOUT

WA#	CHELSEA® REF. #	MUNCIE® REF. #
WA8SE01X-S1SE	489XQAHX-U3XD	
WA8SB01X-S1SE	489FAHX-U3XD	
WA8SO01X-S1SE	489SAHX-U3XD	
WA8SJ01X-S1SE	489RAHX-U3XD	
	489XFAHX-S3RB	
WA8SB01XS1RA	489XFAHX-S3XK	
	489XFAHX-S5RB	
WA8SB01X-S3RA	489XFAHX-S5XK	

"8 BOLT" DIRECT MOUNT AIR SHIFT PTO WITH DUAL CONTROL VALVE WITH KICKOUT

WA#	CHELSEA® REF. #	MUNCIE® REF. #
WA8SE01X-S1RA	489XQAHX-U3XK	
WA8SB01X-S1RA	489FAHX-U3XK	
WA8SO01X-S1RA	489SAHX-U3XK	
WA8SJ01X-S1RA	489XRAHX-U3XK	

"8 BOLT" REMOTE MOUNT AIR SHIFT PTO WITH AIR CONTROL KIT

WA#	CHELSEA® REF. #	MUNCIE® REF. #
WA8SE01X-A1SE	489XQAHX-A3XD	TG8SU6808-A1BX
WA8SB01X-A1SE	489XFAHX-A3XD	TG8SU6806-A1BX
WA8SO01X-A1SE	489XSAHX-A3XD	TG8SU6812-A1BX
WA8SJ01X-A1SE	489XRAHX-A3XD	TG8SU6809-A1BX
WA8DE24X-A3SE	489XQDAX-A5XD	-
WA8SB01X-A3SE	489XFAHX-A5XD	-
WA8SC01X-A1SE	489XLAHX-A3XD	-
WA8SC01X-A3SE	89XLAHX-A5XD	-
WA8SJ01X-A3SE	489XRAHX-A5XD	-

"8 BOLT" REMOTE MOUNT AIR SHIFT PTO WITHOUT AIR CONTROL KIT

WA#	CHELSEA® REF. #	MUNCIE® REF. #
WA8SE01X-N1SE	489XQAHX-V3XD	TG8SU6808-P1BX
WA8SB01X-N1SE	489XFAHX-V3XD	TG8SU6806-P1BX
WA8SO01X-N1SE	489XSAHX-V3XD	TG8SU6812-P1BX
WA8SJ01X-N1SE	489XRAHX-V3XD	TG8SU6809-P1BX

"8 BOLT" DIRECT MOUNT AIR SHIFT PTO WITH AIR CONTROL KIT

WA#	CHELSEA® REF. #	MUNCIE® REF. #
WA8SE01X-A1RA	489XQAHX-A3XK	TG8SU6808-A1KX
WA8SB01X-A1RA	489FAHX-A3XK	TG8SU6806-A1KX
WA8SO01X-A1RA	489SAHX-A3XK	TG8SU6812-A1KX
WA8SJ01X-A1RA	489RAHX-A3XK	TG8SU6809-A1KX
WA8SB01X-A3RA	489XFHX-A5XK	TG8SU6806-A3KX
WA8SE01X-A3RA	489XQAHX-A5XK	TG8SU6808-A3KX
WA8SE27X-A3RA	489XQEV-A5XK	
	489ZFDAX-A5RA	
WA8D24X-A3RA	489ZFDAX-A5XK	
	489ZLDAX-A5RB	
WA8D24X-A3RA	489ZLDAX-A5XK	

"8 BOLT" DIRECT MOUNT AIR SHIFT PTO WITHOUT AIR CONTROL KIT

WA#	CHELSEA® REF. #	MUNCIE® REF. #
WA8SE01X-N1RA	489XQAHX-V3XK	TG8SU6808-P1KX
WA8SB01X-N1RA	489XFAHX-V3XK	TG8SU6806-P1KX
WA8SO01X-N1RA	489XSAHX-V3XK	TG8SU6812-P1KX
WA8SJ01X-N1RA	489XRAHX-V3XK	TG8SU6809-P1KX
WA8SB01X-A3RA	489XFAHX-A3XK	TG8SX6806-A3KX
WA8SE01X-N3RA	489XFAHX-V3XK	TG8SX6806-P3KX
WA8SE27X-N3RA	489XFEVX-V3XK	TG8SF1109-P3KX
	489XLAHX-V3RB	
WA8SC01X-N1RA	489XLAHX-V3XK	489XQAHX-A3XK

"8 BOLT" DIRECT MOUNT CABLE SHIFT PTO WITH HARDWARE AIR CONTROL KIT

WA#	CHELSEA® REF. #	MUNCIE® REF. #
WA8SE01X-W1RA	489XQAHX-W3XK	TG8SU6808-C1KX
WA8SB01X-W1RA	489XFAHX-W3XK	TG8SU6806-C1KX
WA8SO01X-W1RA	489XSAHX-W3XK	TG8SU6812-C1KX
WA8SJ01X-W1RA	489XRAHX-W3XK	TG8SU6809-C1KX

"8 BOLT" REMOTE MOUNT CABLE SHIFT PTO WITH HARDWARE

WA#	CHELSEA® REF. #	MUNCIE® REF. #
WA8SE01X-W1SE	489XQAHX-W3XD	TG8SU6808-C1BX
WA8SB01X-W1SE	489XFAHX-W3XD	TG8SU6806-C1BX
WA8SO01X-W1SE	489XSAHX-W3XD	TG8SU6812-C1BX
WA8SJ01X-W1SE	489XRAHX-W3XD	TG8SU6809-C1BX
WA8SC01X-W1SE	489XLAHX-W3XD	TG8SU6807-C1BX

"8 BOLT" DIRECT MOUNT WITH COMBO VALVE PTO WITHOUT KICKOUT

WA#	CHELSEA® REF. #	MUNCIE® REF. #
	489XLAHX-T5RB	
WA8SC01X0T3RA	489XLAHX-T5XK	
	489XQAHX-V5RB	
WASE01X-N3RA	489XQAHX-V5XK	
	489XRAHX-V5RB	
WA8SJ01X-N3RA	489XRAHX-V5XK	



WA8SJ01X-A3SE



WA8SJ01X-N1SE



WA8SB01X-A3RA



WA8SJ01X-N1RA



WA8SJ01X-W1RA



WA8SJ01X-N3RA

PTO YOKES



2-4-533R



10-3-22XR



10-4-183R

<u>WA#</u>	<u>MERITOR® REF#</u>	<u>SERIES</u>	<u>DESCRIPTION</u>
2-4-473R	131N4-473	1310	1" ROUND
2-4-503R	131N4-503	1310	1 1/8" ROUND
2-4-533R	131N4-533	1310	1 1/4" ROUND
10-3-18KXR	10N3-18X	1000	1 1/4" - 16 SPLINE
10-3-22XR	10N3-22X	1000	7/8" SQUARE
10-3-332XR	10N3-32X	1000	1 1/8" HEX
10-3-83XR	10N3-83X	1000	1" ROUND
10-3-163XR	10N3-163X	1000	1 1/4" ROUND
10-4-12R	10N4-12	1000	7/8" SQUARE
10-4-23R	10N4-23	1000	3/4" ROUND
10-4-32R	10N4-32	1000	1 1/8" HEX
10-4-63R	10N4-63	1000	7/8" ROUND
10-4-93R	10N4-93	1000	1" ROUND
10-4-103R	10N4-103	1000	1 1/8" ROUND
10-4-113R	10N4-113	1000	1 1/8" ROUND
10-4-123R	10N4-123	1000	1 1/4" ROUND
10-4-183R	10N4-183	1000	1 1/4" ROUND
10-4-193R	10N4-193	1000	1 1/4" ROUND
10-4-282R	10N4-282	1000	1 1/4" HEX
10-4-22R	10N4-22	1000	1" ROUND

PTO SHAFT ASSY



9553SF

<u>WA#</u>	<u>DESCRIPTION</u>
9553SF	NON-WELDED 1310 SERIES PTO SHAFT ASSY

U-JOINTS FOR PTO



5-153XR

<u>WA#</u>	<u>DESCRIPTION</u>
5-153XR	PTO U-JOINT 1310 SERIES
5-170XR	PTO U-JOINT 1000 SERIES

SLIP YOKES FOR PTO



2-3-8021KXR

<u>WA#</u>	<u>MERITOR® REF#</u>	<u>DESCRIPTION</u>
2-3-8001XKXR	131N-3-8001KX	SLIP YOKE 1310 SERIES
2-3-8021KXR	131N-3-8021KX	SLIP YOKE 1310 SERIES
2-4-503R	131N-4-503	END YOKE 1310 PTO
2-28-1757R	131N-28-1759	WELD YOKE 1310 SERIES
2-40-1701R	131N-40-1701	SPLINED STUB END 1310 SERIES

CONTROL TOWERS (CONSOLES)



WA600221



WA600222



WA600223

<u>WA#</u>	<u>COMPETITOR REF#</u>	<u>DESCRIPTION</u>
WA600221	329219X / K90C	8" TOWER
WA600222		10" TOWER
WA600223		12" TOWER

CONTROL TOWER VALVES (VALVE ONLY)

<u>WA#</u>	<u>DESCRIPTION</u>	<u>OEM REF#</u>
WA118373	SINGLE VALVE ONLY	329214X
WAAV295	DUAL VALVE W/ KICKOUT	K90D / 329358X (DEAD MAN SWITCH)
WAAV295M	DUAL VALVE W/O KICKOUT	329316X

CONTROL VALVE KITS



WA101X

<u>WA#</u>	<u>DESCRIPTION</u>	<u>OEM REF#</u>
WA101X	SINGLE VALVE AIR KIT CONTAINS: HOSE, FITTINGS, VALVE & LED LIGHT	328388-65X



WA201X

WA201X	DUAL VALVE AIR KIT WITH KICKOUT CONTAINS: HOSE, FITTINGS, VALVE & LED LIGHT	328388-79X
--------	--	------------



WA202X

WA202X	DUAL VALVE AIR KIT WITHOUT KICKOUT CONTAINS: HOSE, FITTINGS, VALVE & LED LIGHT	328388-72X
--------	---	------------

PUSH/PULL CABLES



WA4306-12

<u>WA#</u>	<u>DESCRIPTION</u>
WA4306-10	10 FOOT PTO CABLE
WA4306-12	12 FOOT PTO CABLE
WA4306-15	15 FOOT PRO CABLE

RESERVOIRS



WAA3070



WAA4500

<u>WA#</u>	<u>COMPETITOR#</u>	<u>DESCRIPTION</u>
WAA2000	A-2000/ MPN098708	50 GALLON POLYETHYLENE UPRIGHT
WAA3000	A-3000/ MPN098709	50 GALLON STEEL UPRIGHT
WAA3070	A-3070/ MPN098710	70 GALLON STEEL UPRIGHT
WAA3500	A-3500/ MPN098711	50 GALLON STEEL SADDLE MOUNT
WAA4000	A-4000/ MPN098712	50 GALLON ALUMINUM UPRIGHT
WAA4070	A-4070/ MPN098713	70 GALLON ALUMINUM UPRIGHT
WAA4500	A-4500/ MPN098714	50 GALLON ALUMINUM SADDLE MOUNT WITH STEEL STRAPS
WAA4500SS	A-4500SS/ MPN098715	50 GALLON ALUMINUM SADDLE MOUNT WITH STAINLESS STRAPS

HYDRAULIC DUMP PUMPS

C-SERIES

WA101-25



WA102-25L



WA#	DESCRIPTION
WA101-25	DUMP PUMP - EITHER SHAFT ROTATION, 1" DIAMETER KEYED SHAFT, 49 GPM FLOW @ 1800 RPM - MAX. RPM 2400
WA102-25R	DUMP PUMP - EITHER SHAFT ROTATION, 1" DIAMETER KEYED SHAFT, 49 GPM FLOW @ 1800 RPM - MAX. RPM 2400
WA102-25L	DUMP PUMP - FACTORY SET ROTATION, 7/8" - 13 TOOTH SPLINE SHAFT, 49 GPM FLOW @ 1800 RPM - MAX. RPM 2400 - EXTENDED STUDS FOR SUPPORT BRACKET
WA102-25R	DUMP PUMP - RIGHT HAND ROTATION, 7/8" - 13 TOOTH SPLINE SHAFT, 49 GPM FLOW @ 1800 RPM - MAX. RPM 2400 - EXTENDED STUDS FOR SUPPORT BRACKET
WA102-25LAS	DUMP PUMP - FACTORY SET ROTATION, 7/8" - 13 TOOTH SPLINE SHAFT, 49 GPM FLOW @ 1800 RPM - MAX. RPM 2400 - EXTENDED STUDS FOR SUPPORT BRACKET WITH AIR SHAFT
WA102-25RASS	DUMP PUMP - RIGHT HAND ROTATION, 7/8" - 13 TOOTH SPLINE SHAFT, 49 GPM FLOW @ 1800 RPM - MAX. RPM 2400 - EXTENDED STUDS FOR SUPPORT BRACKET WITH AIR SHAFT
WA102SK	SEAL KIT (ALL 102)
WA101SK	SEAL KIT (ALL 101)

G-SERIES

WA101G



WA102G



WA#	DESCRIPTION
WA101G	DUMP PUMP G101 - 3 PC. CAST IRON DESIGN, HIGH PRESSURE BALANCED THRUST PLATES, HEAVY DUTY ROLLER BEARINGS, 2 OR 3 LINE HOOK-UP - AVAILABLE WITH CLOCKWISE OR COUNTER CLOCKWISE SHAFT ROTATION - 1" DIAMETER SHAFTS, 15 GPM AT 1000 RPM TO 37 GPM AT 2400 RPM
WA102G	DUMP PUMP G102 - 3 PC. CAST IRON DESIGN, LEFT HAND ROTATION, HIGH PRESSURE SHAFT SEALS, FACTORY SET 2000 PSI, RELIEF WITH LOAD CHECK, PRESSURE BALANCED THRUST PLATES, HEAVY DUTY ROLLER BEARINGS, 2 OR 3 LINE HOOK-UP, 7/8" 13 TOOTH SPLINE SHAFT, 15 GPM AT 1000 RPM TO 37 GPM AT 2400 RPM
WA102G-20R	DUMP PUMP G102 - 3 PC. CAST IRON DESIGN, RIGHT HAND ROTATION, HIGH PRESSURE SHAFT SEALS, FACTORY SET 2000 PSI, RELIEF WITH LOAD CHECK, PRESSURE BALANCED THRUST PLATES, HEAVY DUTY ROLLER BEARINGS, 2 OR 3 LINE HOOK-UP, 7/8" 13 TOOTH SPLINE SHAFT, 15 GPM AT 1000 RPM TO 37 GPM AT 2400 RPM

DRIVELINE TABLE OF CONTENTS

END YOKES (STANDARD & HALF ROUND)20-21
UNIVERSAL JOINTS22
SLIP YOKES23
CENTER BEARINGS23
WELD YOKES24
SPLINED STUB ENDS24
FLANGE YOKES25
PTO END YOKES25
HALF ROUND U-JOINT STRAPS26
U-BOLT KITS27
PTO NON-WELDED ASSY27



DRIVELINE COMPONENTS



6-4-5061XR



6-4-5071XR



6-4-6871XR



6.5-4-2711XR

END YOKES (STANDARD & HALF ROUND)

WA#	SERIES	I.H.C. [®] REF#	MERITOR [®] REF#	APPLICATION	SPECIFICATIONS
5-4-5721R	1610	-	16N4-5721	RA351/355	1.969" - 30 SPLINE
5-4-5731R	1610	491699C2	16N4-5731	RA472/RR	2.114" - 32 SPLINE
5-4-5751R	1610	491288C2	16N4-5751	RA472/474	2.109" - 32 SPLINE
6-4-1981R	1710	283360C1	17N4-1981	COUPLING SHAFT	1.969" - 10 SPLINE
6-4-2381R	1710	446615R1	17N4-2381	SQHD, SLHD	1.750" - 10 SPLINE
6-4-3611R	1710	284680C1	17N4-3611	9509, 9513	2.500" - 10 SPLINE
6-4-4421R	1710	1614575C1	17N4-4421	1070, 1076, 1078	2.500" - 10 SPLINE
6-4-4601R	1710	-	17N4-4601	COUPLING SHAFT	2.344" - 16 SPLINE
6-4-4731R	1710	-	17N4-4731	D34/38, 340, 380	1.969" - 10 SPLINE
6-4-4741X	1710	1662248C92	17N4-3241	SQHD	2" - 10 SPLINE
6-4-5061XR	1710	5162000C91	17N4-5061X	DS380, 340	2.149" - 16 SPLINE
6-4-5071XR	1710	1662252C91	17N4-5071X	DS340, 380	2.149" - 16 SPLINE
6-4-5151XR	1710	456286C1	17N4-5151X	17121, 18121, 38DS	1.962" - 10 SPLINE
6-4-5461XR	1710	476822C91	17N4-5461	SSHD	2.375" - 46 SPLINE
6-4-5461-1XR	1710	1657354C91	17N4-5461-1X	SSHD	2.374" - 46 SPLINE
6-4-5481XR	1710	1662254C91	17N4-5841	CRD113, 200, 92, 93	2.375" - 46 SPLINE
6-4-5711XR	1710	D645711	17N4-5711	RA472/474 FRONT	2.359" - 36 SPLINE
6-4-5791R	1710	1649805C91	17N4-5791	RA472 REAR	2.109" - 32 SPLINE
6-4-6001XR	1710	1676156C91	17N4-5961X	RS341, 381, 402, 454	2.016" - 39 SPLINE
6-4-6021XR	1710	586533C91	17N4-6021X	RS402 (HIGH ANGLE)	2.031" - 39 SPLINE
6-4-6041XR	1710	1662086C91	17N4-6041X	DS381, 401, 402	2.266" - 44 SPLINE
6-4-6041-1XR	1710	16577342C91	17N4-6041-1X	DS381, 401, 402	2.266" - 44 SPLINE
6-4-6321R	1710	1606075C1	17N4-6321	RS15-120, 15210 FRO	1.750" - 34 SPLINE
6-4-6371R	1710	1606076C1	17N4-6371	RS21-145, SQ100	2" - 39 SPLINE
6-4-6391-1XR	1710EZ	2013007C91	17TYS32-95A	RD20-145, RS21-145	2.024" - 39 SPLINE
6-4-6411XR	1710	583095C91	17N4-6411	SQ100, SQHP	2.031" - 39 SPLINE
6-4-6481XR	1710	5865523C91	17N4-6481	DS381	1.391" - 34 SPLINE
6-4-6871XR	1710	1662152C91	17N4-6871	SSHD	2" - 39 SPLINE
6-4-6921XR	1710	597780C1	17N4-6921X	613, 11613	2-1/2" - 10 SPLINE
6-4-6931XR	1710	597763C91	17N4-6931X	12513, 14613	2-3/4" - 10 SPLINE

DRIVELINE COMPONENTS

END YOKES (STANDARD & HALF ROUND) CONT.

WA#	SERIES	I.H.C. [®] REF#	MERITOR [®] REF#	APPLICATION	SPECIFICATIONS
6-4-6931-1XR	1710EZ	1657279C91	17N4-6931-1X	14613	2.750" - 10 SPLINE
6-4-6951XR	1710	1662153C91	17N4-6951X	SHR	2" - 39 SPLINE
6-4-7161R	1710	-	17N4-7161	RS/RR23-160	2.38" - 46 SPLINE
6-4-7541R	1710	1616020C91	17N4-7541	DS, DT461	2.143" - 41 SPLINE
6-4-7561R	1710	1615993C91	17N4-7561	RT40-145	2.031" - 39 SPLINE
6-4-7771XR	1710	1666086C91	17N4-7771X	RS, RR, RD23-160	2.375" - 46 SPLINE
6-4-8511XR	1710	2030239C91	17N4-8511X	RS402	1.790" - 34 SPLINE
6-4-8541XR	1710	2030240C91	17N4-8541X	DS402	2.024" - 39 SPLINE
6.3-4-161	1760	578384C1	176N4-161	COUPLING SHAFT	2.344" - 16 SPLINE
6.3-4-161-1XR	1760EZ	1662158C1	176N4-161-1X	COUPLING SHAFT	2.344" - 16 SPLINE
6.3-4-331-1XR	1760EZ	1657343C91	176N4-331-1X	DS402	2.274" - 44 SPLINE
6.3-4-541XR	1760	544200C91	176N4-541X	SQ100, SQHP	2.031" - 39 SPLINE
6.3-4-541-1XR	1760EZ	1657349C91	176N4-541-1X	SQ100	2.031" - 39 SPLINE
6.3-4-781XR	1760	597781C91	176N4-781X	6613, 9513	2.500" - 10 SPLINE
6.3-4-781-1XR	1760EZ	1657277C91	176N4-781-1X	9513	2.500" - 10 SPLINE
6.3-4-791XR	1760	597764C1	176N4-791	14613, 14615	2.750" - 10 SPLINE
6.3-4-791-1XR	1760EZ	1657280C91	176N4-791-1X	14613, 14615	2.750" - 10 SPLINE
6.3-4-1041-1X	1760EZ	1616215C91	176N4-1041-1X	RT40-145, 46-160	2.375" - 46 SPLINE
6.3-4-1521-1XR	1760EZ	1689523C91	176N4-1521-1X	RA44, 47, N400R	2.114" - 32 SPLINE
6.3-4-1561-1XR	1760EZ	1689532C91	176N4-1561-1X	RA355, 472, 474	2.364" - 36 SPLINE
6.3-4-5221-1XR	1760	2017786C91	176N4-5221-1X	344, 404	2.274" - 44 SPLINE
6.5-4-2531XR	1810	1662143C91	18N4-2531X	COUPLING SHAFT	2.344" - 16 SPLINE
6.5-4-2531-1XR	1810EZ	-	18N4-2531-1X	COUPLING SHAFT	2.344" - 16 SPLINE
6.5-4-2711XR	1810	1662145C91	18N4-2711X	SSHD	2.375" - 46 SPLINE
6.5-4-3251XR	1810	1662147C1	18N4-3251X	MACK 1070, 107	2.375" - 46 SPLINE
6.5-4-3281XR	1810	586500C91	18N4-3281X	381, 401, 402	2.274" - 44 SPLINE
6.5-4-3381XR	1810	583090C91	18N4-3381X	SQ100, SQHP	2.031" - 39 SPLINE
6.5-4-3561XR	1810	597782C1	18N4-3561X	12513	2.750" - 10 SPLINE
6.5-4-3561-1XR	1810EZ	1657281C91	18N4-3561-1X	14613	2.750" - 10 SPLINE
6.5-4-3591-1XR	1810EZ	1660417C1	18N4-3591-1X	COUPLING SHAFT	2.391" - 46 SPLINE
6.5-4-3731XR	1810	2032771C91	18N4-3731X	RT40-145, 46-160	2.375" - 46 SPLINE
6.5-4-3731-1X	1810EZ	1666084C91	18N4-3731-1X	RT40-145, 46-160	2.375" - 46 SPLINE
6.5-4-3731-1XR	1810EZ	1666084C91	18N-4-3731-1X	RT40-145, RT46-160	2.375" - 46 SPLINE
6.5-4-3921XR	1810	2030241C91	18N4-3921X	DS/DT461	2.391" - 46 SPLINE
6.5-4-4631R	1810	3534225C1	18N-4-4631	14210, 16210, 20918	2.794" - 54 SPLINE

UNIVERSAL JOINTS



5-92XR



5-407XR



5-133XR



5-1203XR

WA#	SERIES	I.H.C. [®] REF#	MERITOR [®] REF#	NEAPCO [®] REF#	DANA [®] REF#
5-100XR	1000	-	N/A	5-100X	5-100X
5-1203XR	55	-	CP1203	2-4800	5-1203X
5-1204XR	55	-	CP1204	2-4900	5-1204X
5-1205XR	55	217193C91	CP1205	2-6200	5-1205X
5-1206XR	55	-	CP1206	6-0124	5-1206X
5-1300XR	5160	-	CP52625-2	2-1400	5-1300X
5-133XR	1310	-	CP133X	N/A	5-133X
5-1501XR	ROE-ISR	-	CP1501	1-0028	5-1501X
5-1503XR	ROE-ISR	-	CP1503	1-1557	5-1503X
5-153XR	1260/1270	645573R91	CP121X	1-0153	5-153X
5-155XR	1550	213882R91	CP155X	3-0155	5-155X
5-160XR	1410	127574R91	CP160X	2-0054	5-160X
5-170XR	1000	208959R91	CP170X	1-0170	5-170X
5-178XR	1350	127573R91	CP178X	2-0053	5-178X
5-188XR	1480	913774R91	CP188X	3-0188	5-188X
5-200XR	1280	645573R91	CP200X	1-0121	5-200X
5-260XR	1310	427804C91	CP260X	1-0174	5-260X
5-279XR	1610	121684R92	CP16N	4-0279	5-279X
5-279XRM	1610 METAL CAP	121684R92	CP16N	4-0279	N/A
5-297XR	1310WJ	459395C91	CP297X	1-0297	5-297X
5-280XR	1710	121762R92	CP17N	5-0280	5-280X
5-280XRM	1710 METAL CAP	121762R92	CP17N	5-0280	N/A
5-281XR	1810	422910C91	CP18N	6-0281	5-281X
5-281XRM	1810 METAL CAP	422910C91	CP18N	6-0281	N/A
5-3147XR	3RL	1662169C91	CP3147X	2-3011	5-3147X
5-324XR	1810 MACK	1662170C91	CP18N96	N/A	5-324X
5-407XR	1760	578379C91	CP176N	6-0407	5-407X
5-407XRM	1760 METAL CAP	578379C91	CP176N	6-0407	N/A
5-438XR	1610 1/2 ROUND	1696914C91	CP161	4-2791	5-438X
5-438XRM	1610 1/2 ROUND METAL CAP	1696914C91	CP161	4-2791	N/A
5-469XR	1760 1/2 ROUND	-	CP1761	6-4071	5-469X
5-469XRM	1760 1/2 ROUND METAL CAP	-	CP1761	6-4071	N/A
5-510XR	1810 1/2 ROUND	1696916C91	CP181	6-2811	5-510X
5-510XRM	1810 1/2 ROUND METAL CAP	1696916C91	CP181	6-2811	N/A
5-515XR	1710 1/2 ROUND	1696915C91	CP171	5-2801	5-515X
5-515XRM	1710 1/2 ROUND METAL CAP	1696915C91	CP171	5-2801	N/A
5-6000XR	6CL	-	CP62N-DWT	4-6143	5-6000X
5-6102XR	6CBL	-	CP62N-H	4-6114	5-6102X
5-6106XR	6BL	-	CP62N-HWD	4-6128	5-6106X
5-674XR	1610 1/2 ROUND	16996914C91	R674X	6-0674	5-674X
5-675XR	1710 1/2 ROUND	1696915C91	R675X	6-0675	5-675X
5-676XR	1810 1/2 ROUND	1696916C91	R676X	6-0676	5-676X
5-677XR	1760 1/2 ROUND	1696917C91	R677X	6-0677	5-677X
5-7000XR	7LN	-	CP72N-DWT	5-7205	5-7000X
5-92XR	L6N	-	CPL6X48	1-1475	5-92X
WA90XR	LIFE SERIES 90	-	N/A	N/A	SPL90X
WA170XR	LIFE SERIES 170	-	N/A	N/A	SPL170X
WA250XR	LIFE SERIES 250	-	N/A	N/A	SPL250X

SLIP YOKES & CENTER BEARINGS



2-3-8001KXR



2-3-8021KXR



2-3-8041KXR



5-3-2261KXR

SLIP YOKES

WA#	SERIES	I.H.C. [®] REF#	MERITOR [®] REF#	NEAPCO [®] REF#	SIZE	LENGTH
2-3-128KXR	1310	240783R91	131N3-128KX	N2-3-128KX	1 3/8" - 16 SPL.	5 3/8"
2-3-4441KXR	1310	436606C91	131N3-4441KX	N2-3-4441KX	1 1/4" - 16 SPL.	5 1/4"
2-3-5221KXR	1310	328416C91	131N3-5221KX	N2-3-5221KX	1 3/8" - 16 SPL.	6 7/8"
2-3-5821KXR	1310	571125C91	131N3-5821KX	N2-3-5821KX	1 3/8" - 16 SPL.	7 7/8"
2-3-6081XR	1310	D236081X	131N3-6081X	N2-3-6081X	1.176" - 26 SPL.	5 15/32"
2-3-8001KXR	1310	1662802C91	131N3-8001KX	N2-3-8001KX	1 3/8" - 16 SPL.	6 13/16"
2-3-8021KXR	1310	1662803C91	131N3-8021KX	N2-3-8021KX	1 3/8" - 16 SPL.	7 7/8"
2-3-8041KXR	1330	1662804C91	133N3-7481KX	N2-3-7481KX	1 3/8" - 16 SPL.	7 1/2"
3-3-1601KXR	1480	240449R91	148NLS25DC	N3-3-1601KX	1 9/16" - 16 SPL.	6 13/16"
3-3-2041KXR	1410	1696049C91	141N3-2041KX	N3-3-2041KX	1 1/2" - 16 SPL.	5 1/4"
3-3-488KXR	1350	1662864C91	135N3-488KX	N3-3-488KX	1 1/2" - 16 SPL.	7 5/16"
3-3-508KXR	1410	D33508KX	141N3-508KX	N3-3-508KX	1 1/2" - 16 SPL.	7 7/8"
4-3-1241KXR	1550	890154R91	155N3-1241X	N4-3-1241KX	1 3/4" - 16 SPL.	6 7/8"
5-3-1411R	1610	890261R91	16N3-1411	N3-3-1411KX	2" - 16 SPL.	10 5/16"
5-3-2261KXR	1610	363080C91	16N3-2261X	N5-3-2261KX	2" - 16 SPL.	10 13/16"
6-3-2651KXR	1710	356677C92	17N3-2651X	N6-3-2651KX	2 1/2" - 16 SPL.	11 11/16"
6-3-2671KXR	1710	356663C92	17N3-2671X	N6-3-2671KX	2 1/2" - 16 SPL.	9 19/32"
6.3-3-21KXR	1760	586676C91	176N3-21X	N6.3-3-21KX	2 1/2" - 16 SPL.	11 5/32"
6.3-3-41KXR	1760	586675C91	176N3-41X	N6.3-3-41KX	2 1/2" - 16 SPL.	9 1/4"
6.5-3-1351XR	1810	418322C91	18N3-1351X	N6.5-3-1351KX	3" - 16 SPL.	10 1/4"
6.5-3-1371XR	1810	418324C91	18N3-1371X	N6.5-3-1371X	3" - 16 SPL.	11 7/8"

CENTER BEARINGS

WA#	SERIES	I.H.C. [®] REF#	DANA [®] REF#	NEAPCO [®] REF#
HB88107A	1280, 1310	386418C91	210088-1X	81-2012
HB88508	1310, 1410, 1480	315442C91	210391-1X	81-3011
HB88509	1550, 1610, 1650	283067C92	210084-2X	81-4011
HB88510	1710	283069C93	210121-1X	81-5010
HB88512A	1760, 1810	283071C93	210661-1X	81-6010
HB88512AS	1760, 1810	N/A	210875-1X	N/A

HB88512A



HB88107B



WELD YOKES & SPLINED STUB ENDS

WELD YOKES



2-28-367R



2-28-1697R



3-28-57R

WA#	SERIES	I.H.C. [®] REF#	MERITOR [®] REF#	NEAPCO [®] REF#
2-28-1697R	1330	-	133N-28-1697	N2-28-1697
2-28-1717R	1330	-	2-28-1717	N2-28-1717
2-28-1757R	1330	-	2-28-1757	N2-28-1757
2-28-307R	1310	-	131N-28-307	N2-28-307
2-28-327R	1310	646501R1	131N-28-327	N2-28-327
2-28-357R	1310	131596H	131N-28-357	N2-28-357
2-28-367R	1310	-	131N-28-367	N2-28-367
2-28-427R	1310	-	2-28-427	N2-28-427
2-28-437R	1310	328548C1	131N-28-437	N2-28-437
3-28-427R	1410	371698C1	3-28-427	N3-28-427
3-28-507R	1480	211254R1	148N-28-307	
3-28-537R	1480	206413R1	148N-28-537	N3-28-537
3-28-557R	1410	D328557	141N-28-557	N3-28-557
3-28-57R	1350	646514R1	135N-28-57	N3-28-57
3-28-97R	1410	645171R91	141N-28-97	N3-28-97
4-28-307R	1550	2507983C1	155N-28-307	N/A
5-28-627R	1610	356623C1	16N-28-627	N5-28-627
6-28-347R	1710	35660C1	17N-28-347	N6-28-347
6.3-28-17R	1760	578389C1	176N-28-17	N6.3-28-17
6.5-28-117R	1810	1662162C1	18N-28-117	N6.5-28-117
6.5-28-127R	1810	456110C1	18N-28-127	N/A

SPLINED STUB ENDS

WA# REF#	SERIES REF#	I.H.C. [®] REF#	MERITOR [®] REF#	NEAPCO [®] REF#	SIZE	LENGTH
2-40-1031R	1310	1662807C1	131N-40-1031	N2-40-1031	1 3/8" - 16 X 2 1/4"	2" X .083
2-40-1521R	1310	1662810C1	131N-40-1521	N/A	1 3/8" - 16 X 2 1/4"	3" X .083
2-40-1701R	1310	1662812C1	131N-40-1701	N2-40-1701	1 3/8" - 16 X 2 1/4"	2" X .120
2-40-1711R	1310	1662813C1	131N-40-1711	N2-40-1711	1 3/8" - 16 X 2 1/4"	2 1/2" X .083
2-40-1851R	1310	461187C1	131N-40-1851	N2-40-1851	1 3/8" - 16 X 2 1/4"	2 1/2" X .083
3-53-1371R	1410	1662878C1	141N-53-1371	N3-53-1371	1 3/8" - 16 X 4 7/16"	3" X .083
4-53-61R	1550	1662193C1	16N-53-61	N4-53-61	2" - 16 X 3 1/2"	3" X .134
5-40-1011R	1610	391862C1	16N-40-1011	N5-40-1011	2" - 16 X 3 1/2"	3 1/2" X .134
5-40-1041R	1610	D5401041		N5-40-1041	2" - 16 X 3 1/2"	3 1/2" X .134
6-40-521R	1710/1760	425866C1	17N-40-521	N6-40-521	2 1/2" - 16 X 4"	4" X .134
6-40-541R	1710/1760	409745C1	17N-40-541	N6-40-541	2 1/2" - 16 X 4"	4" X .134
5-53-141R	1610	284642C1	16N-53-141	N/A	1 3/4" - 10 X 2"	3 1/2" X .134
6-53-201R	1710	356679C1	17N-53-201	N6-53-201	1 61/64" - 10 X 2 7/8"	4" X .134
6-53-311R	1710	486530C1	17N-53-311	N6-53-311	2 23/64" - 16 X 2 5/8"	4" X .134
6.5-40-191R	1810	436310C1	18N-40-191	N6.5-40-191	3" - 16 X 4 1/2"	4 1/2" X .134
6.5-40-201R	1810	D6540201	18N-40-201	N/A	3" - 16 X 4 1/2"	4 1/2" X .134
6.5-53-51R	1810	456108C1	18N-53-51	N/A	2 23/64" - 16 X 2 3/4"	4 1/2" X .259
6.5-53-91R	1810	DD655391	N/A	N2-53-9170-2	2 11/32" - 16 X 2 5/8"	4 1/2" X .134



2-40-1521R



6-40-521R

FLANGE YOKES & PTO END YOKES

FLANGE YOKES



2-2-479R

WA#	SERIES	I.H.C. [®] REF#	MERITOR [®] REF#	NEAPCO [®] REF#	SPECIFICATIONS
2-2-329R	1310	131601H	131N-2-329	N2-2-329	3 7/8" - 4 X 3/8"
2-2-479R	1280/1310	153179R1	131N-2-479	N2-2-479	4 5/8" - 4 X 7/16"
2-2-939R	1330	-	131N-2-939	N2-2-939	4 5/8" - 4 X 7/16"
3-2-479R	1480	211259R1	148N-2-479	N3-2-479	5 7/8" 4 X 1/2"
5-2-279R	1610	124496R1	N/A	N5-2-279	8" - 6 1/8"
6-2-739R	1710	547120C1	N/A	N6-2-739	8" - 3 1/4" - 7/16 HOLE
6-2-749R	1710	118992R1	N/A	N6-2-749	8" - 7 1/4" - 3/8" HOLE
6.5-2-329R	1810	-	N/A	N6.5-2-329	8" - 12 X 7/16"

PTO END YOKES



10-4-32



10-4-123

WA#	TYPE/SERIES	I.H.C. [®] REF#	MERITOR [®] REF#	DANA [®] REF#
10-4-32R	1 1/8" HEX	1662690C1	10N -4-32	10-4-32
10-4-123	1 1/4" - ROUND	1662683C1	10N-4-123	10-4-123
2-2-329R	1310 SERIES	D22329	131N-4-533	2-2-329
2-4-473R	1310 SERIES - 1" ROUND	1662825C1	131N4-473	2-4-473
2-4-503R	1310 SERIES - 1 1/8" ROUND	319479C11	131N4-503	2-4-503
2-4-533R	1310 SERIES - 1 1/4" ROUND	1662827C1	131N4-533	2-4-533
10-3-18KXR	1000 SERIES - 1 1/4" - 16 SPLINE	1662675C91	10N3-18X	10-3-18KX
10-3-22XR	1000 SERIES - 7/8" SQUARE	1663676C91	10N3-22X	10-3-22X
10-3-32XR	1000 SERIES - 1 1/8" HEX	169903R11	10N3-32X	10-3-32X
10-3-83XR	1000 SERIES - 1" ROUND	1662679C1	10N3-83X	10-3-83X
10-3-163XR	1000 SERIES - 1 1/4" ROUND	1662674C91	10N3-163X	10-3-163X
10-4-12R	1000 SERIES - 7/8" SQUARE	1662682C1	10N4-12	10-4-12
10-4-23R	1000 SERIES - 3/4" ROUND	1662690C1	10N4-32	10-4-32
10-4-63R	1000 SERIES - 7/8" ROUND	214535R1	10N4-63	10-4-63
10-4-93R	1000 SERIES - 1" ROUND	2505330C1	10N4-93	10-4-93
10-4-103R	1000 SERIES - 1 1/8" ROUND	1662680C1	10N4-103	10-4-103
10-4-113R	1000 SERIES - 1 1/8" ROUND	1662681C1	10N4-113	10-4-113
10-4-123R	1000 SERIES - 1 1/4" ROUND	1662683C1	10N4-123	10-4-123
10-4-183R	1000 SERIES - 1 1/4" ROUND	1662686C1	10N4-183	10-4-183
10-4-193R	1000 SERIES - 1 1/4" ROUND	1662687C1	10N4-193	10-4-193
10-4-22R	1000 SERIES - 1" ROUND	-	10N4-22	10-4-22
10-4-282R	1000 SERIES - 1 1/4" HEX	1662291C1	10N4-282	10-4-282

HALF ROUND U-JOINT STRAPS



5-70-28XR
I.H.C.® REF# 1658834C91
STRAP KIT
(2 STRAPS AND 4 BOLTS)
1610 SERIES



6.5-70-18XR
I.H.C.® REF# 1658835C91
STRAP KIT
(2 STRAPS AND 4 BOLTS)
1710, 1760, 1810 SERIES



2-70-18XR
I.H.C.® REF# 1662835C91
STRAP KIT
(2 STRAPS AND 4 BOLTS)
1310, 1330 SERIES (JEEP® ONLY)



2-70-28XR
I.H.C.® REF# 1662836C91
STRAP KIT
(2 STRAPS AND 4 BOLTS)
1310, 1330 SERIES (GM® ONLY)



3-70-28XR
I.H.C.® REF# 1662883C91
STRAP KIT
(2 STRAPS AND 4 BOLTS)
1350, 1410 SERIES



3-70-38X
I.H.C.® REF# 1658833C91
STRAP KIT
(2 STRAPS AND 4 BOLTS)
1480, 1550 SERIES

U-BOLT KITS & PTO UNWELDED ASSY

2-94-28XR
I.H.C.® REF# D29428X
1310, 1330 SERIES



3-94-18XR
I.H.C.® REF# D39418X
1350, 1410 SERIES



3-94-28XR
I.H.C.® REF# D39428X
1480, 1550 SERIES



PTO NON-WELDED ASSY

9553SF
I.H.C.® REF# ZAZ9553SF
1310 SERIES COMPLETE



INDUSTRY LEADER



WORLD AMERICAN™

INDUSTRY LEADER

World American leads the way in quality, service, and product variety. Distribution is vast with product delivery to over 30 countries World Wide. Our extensive selection of heavy duty and mid-range aftermarket products include:

- ▶ Manual Transmission
- ▶ Steering
- ▶ Hydraulic Pumps
- ▶ Suspension
- ▶ Differential
- ▶ Driveline
- ▶ PTO
- ▶ Water Pumps
- ▶ Air Brake
- ▶ Electrical
- ▶ Clutches

Heavy Duty, Mid-range, Light Duty, and Performance Catalog Selection from Midwest Truck & Auto Parts, Inc.™



Contact World American at:

Toll Free: 800.934.2727 or 773.247.3400

www.worldamerican.com

Download catalogs for FREE!



SATISFACTION GUARANTEED



Satisfaction Guaranteed

At World American we guarantee product quality, product performance, product value and customer service satisfaction.

All World American products:

- Meets industry quality requirements.
- Backed by a comprehensive warranty
- Are competitively priced

Visit us online for more information at:

worldamerican.com
midwesttruck.com



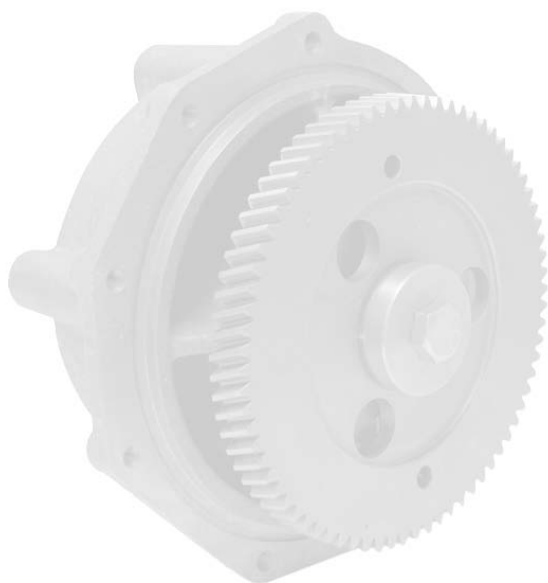
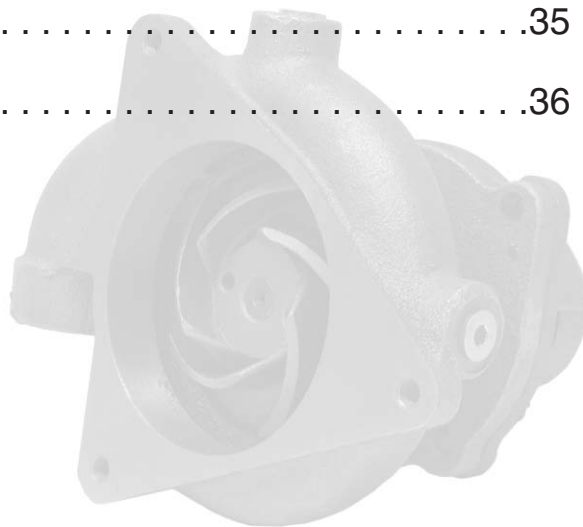
The image features a central logo for "World American". The logo consists of a black rectangular box with a white border containing the text "WORLD AMERICAN" in white, bold, sans-serif capital letters. To the right of the box is a small "TM" trademark symbol. The logo is superimposed on a background of various mechanical parts, including a globe with a grid and a map of the Americas, a large metal U-bollet, a metal nut and bolt, a metal hose, and a metal fitting. The background is a light gray color.

WORLD AMERICAN™

worldamerican.com

ENGINE WATER PUMP TABLE OF CONTENTS

CUMMINS [®] TYPE WATER PUMPS32-33
I.H.C. [®] TYPE WATER PUMPS33
CATERPILLAR [®] TYPE WATER PUMPS34
DETROIT DIESEL [®] TYPE WATER PUMPS34-35
MACK [®] TYPE WATER PUMPS35
FORD [®] TYPE WATER PUMPS35
CUMMINS [®] TYPE IDLERS36



CUMMINS® TYPE WATER PUMPS



WAP1170



WAP1172



WAP1174

<u>WA#</u>	<u>REFERENCE#</u>	<u>DESCRIPTION</u>
WAP1170	3801788	REPLACES CUMMINS® NT855
	AR45184	BIG CAM I, II, III
	3004923	NON-VENTED, 4 1/2" IMPELLER
	RW1170	MULTI-GROOVE PULLEY
	6052	NEW - NO CORE CHARGE
	E-823200	1 YEAR WARRANTY
	3022474	COMPLETE WATER PUMP
WAP1172	3801708	REPLACES CUMMINS® BIG CAM IV, VENTED
	3045943	4 5/16" MULTI-GROOVE PULLEY
	RW1172	4 1/2" IMPELLER, VENTED
	6064	NEW - NO CORE CHARGE
	E-823201	1 YEAR WARRANTY
		COMPLETE WATER PUMP
WAP1174	AR4284	REPLACES CUMMINS® 855 NON-FCC ENGINE
	RW1174	REPLACES CUMMINS® NH220, NT350
	6053	NON-FFC PANCAKE 5-1/2" BORE, SHORT SHAFT
	E-823026	NEW - NO CORE CHARGE
		1 YEAR WARRANTY
		COMPLETE WATER PUMP
WAP2254	3803402	REPLACES CUMMINS® LTA10
	3801840	ENGINES BUILT BEFORE 1991
	RW1178	4 BOLT MOUNT
	B6068	NEW - NO CORE CHARGE
	E-823205	1 YEAR WARRANTY
		COMPLETE WATER PUMP
WAP2256	3803403	REPLACES CUMMINS® L10, M11 ENGINES
	3803260	ENGINES BUILT BEFORE 1991
	6076	3 BOLT MOUNT
		NEW - NO CORE CHARGE
		1 YEAR WARRANTY
		COMPLETE WATER PUMP

CUMMINS® TYPE & IHC® TYPE WATER PUMPS



WAP2254



WAP2257



WAP1190

WA#	REFERENCE#	DESCRIPTION
WAP2257	3803138	REPLACES CUMMINS® NT88 BIG CAM IV
	3803030	STEEL IMPELLER
	6069	NEW - NO CORE CHARGE 1 YEAR WARRANTY COMPLETE WATER PUMP
WAP2260	3803605	REPLACES CUMMINS® N14
	3803030	STEEL IMPELLER
	7068	NEW - NO CORE CHARGE
	6073	1 YEAR WARRANTY COMPLETE WATER PUMP
WAP1190	685155C92	REPLACES I.H.C.® DT466
	RW1190	CONVENTIONAL CAB
	6301	NEW - NO CORE CHARGE
	E-823601	1 YEAR WARRANTY COMPLETE WATER PUMP
WAP1190L	1815538C91	REPLACES I.H.C.®, DT466 WITH LEFT HAND THREADED
	6307	BOLT SHAFT CONVENTIONAL CAB TRUCK
		NEW - NO CORE CHARGE 1 YEAR WARRANTY COMPLETE WATER PUMP
WAP1190N	1817587C92	REPLACES I.H.C.®, DT466E
	RW1310X	NEW - NO CORE CHARGE
	6313	1 YEAR WARRANTY COMPLETE WATER PUMP
WAP1747	1809374C92	REPLACES I.H.C.® 6.9/7.3L ENGINES
	RW1747	SMALL HUB DIAMETER
	6305	NEW - NO CORE CHARGE
	E-823602	1 YEAR WARRANTY COMPLETE WATER PUMP

CATERPILLAR® TYPE & DETROIT DIESEL® TYPE WATER PUMPS



WAP2260



WAP1190L



WAP1194

<u>WA#</u>	<u>REFERENCE#</u>	<u>DESCRIPTION</u>
WAP1194	7C4957	REPLACES CATERPILLAR® 3406B & C
	7W7019	FLAT GEAR
	1354926	NEW - NO CORE CHARGE
	1309476	1 YEAR WARRANTY
	1025941	COMPLETE WATER PUMP
	1025939	
	9Y5646	
	7E6843	
	2W3277	
	4P9372	
	9N5035	
	9N3161	
	4N7415	
	1N2959	
	6006	
WAP2025	6I3890	REPLACES CATERPILLAR® 3406E
	6012	DISH GEAR
	E-823106	NEW - NO CORE CHARGE
	1009344	1 YEAR WARRANTY
	1354925	COMPLETE WATER PUMP
WAP1162	9N1249	REPLACES CATERPILLAR® 3208
	9N3853	3 GROOVE BOLT ON PULLEY
	9N5023	NEW - NO CORE CHARGE
	9N6147	1 YEAR WARRANTY
	RW1162	COMPLETE WATER PUMP
	6002	
	2W1225	
E-823101		
WAP1705	23505895	REPLACES DETROIT DIESEL® SERIES 60
	23520136	ENGINES BUILT 1991 AND LATER
	E-823407	NEW - NO CORE CHARGE
	RW4122	1 YEAR WARRANTY
	6122	COMPLETE WATER PUMP

DETROIT DIESEL®, MACK®, & FORD® TYPE WATER PUMPS



WAP1162



WAP1710



WA2002

<u>WA#</u>	<u>REFERENCE#</u>	<u>DESCRIPTION</u>
WAP1710	8928672 RW1119 6119 E-823403	REPLACES DETROIT DIESEL® 8.2L ENGINE WITH HEATER OUTLET PROVISION NEW - NO CORE CHARGE 1 YEAR WARRANTY COMPLETE WATER PUMP
WAP2000	316GC1184 RW2000 6205	REPLACES MACK® THERMODYNE 675 ESI, ENT-T LONG SHAFT WITHOUT PULLEY STAMPED STEEL IMPELLER BODY O.A. 4" LONG SHAFT PROTRUDES OUT PAST HOUSING APPROX. 1 1/2" NEW - NO CORE CHARGE 1 YEAR WARRANTY COMPLETE WATER PUMP
WAP2002	316GC1210AX RW2002 6208 E-823502	REPLACES MACK® THERMODYNE 300/350 CHARGED ENGINE SHORT SHAFT WITH PULLEY STAMPED STEEL IMPELLER O.A. BODY 4" TALL SHORT SHAFT PROTRUDES OUT PAST HOUSING APPROX. 1" NEW - NO CORE CHARGE 1 YEAR WARRANTY COMPLETE WATER PUMP
WAP1757	E9T28501B 1809374C92 RW1757 6304 E-823603X	REPLACES FORD® 6.9/7.3 LARGE HUB DESIGN NEW - NO CORE CHARGE 1 YEAR WARRANTY COMPLETE WATER PUMP

CUMMINS® TYPE IDLERS



WAP2259



WAP2263

WA#	REFERENCE#	DESCRIPTION
WAP1175	3064920	REPLACES CUMMINS® NT855 IDLER
	AR8851	DUAL GROOVE PULLEY
	RW1175	SMALL CAM
	6058	NEW
	E-823301	
WAP2258	3062602	REPLACES CUMMINS® L10 IDLER
	6078	MULTI-GROOVE PULLEY
	RW6078	NEW
	E-823304	
WAP2259	3081234	REPLACES CUMMINS® NT88 B/C IDLER
	3062931	MULTI-GROOVE PULLEY
	6071	NEW
	RW4071	
	E82	
WAP2261	3066330	REPLACES CUMMINS® N14 IDLER
	6074	STAMP STEEL PULLEY
	RW1074	NEW
	E-823305	
WAP2262	3065000	REPLACES CUMMINS® NT88B/C IV IDLER
	6075	STAMPED STEEL PULLEY
	RW6075	NEW
	E-823216	
WAP2263	393132	REPLACES CUMMINS® "B" SERIES IDLER
	6075	NEW
	RW6075	
	E-823216	
WAP2264	3802081	REPLACES CUMMINS® "C" SERIES IDLER
	6077	NEW
	RW6077	
	E-823217	

QUALITY AXLE SHAFTS



OE
quality

AXLE SHAFTS Heavy Duty, Light Duty & Performance

MIDWESTTM
TRUCK & AUTO PARTS INC.

MotiveGear Performance

Axle Shafts
Heavy Duty, Light Duty & Performance

- OE Quality Replacement Parts
- Backed by Warranty
- Three Distribution Locations Means Quick Delivery

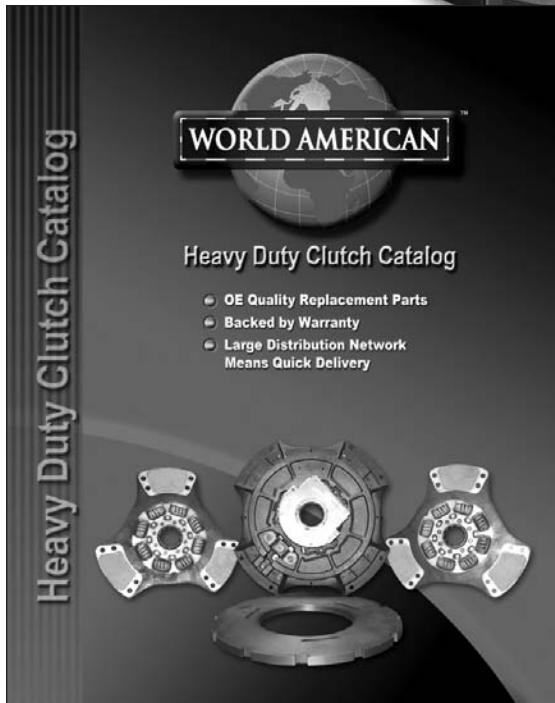
Heavy Duty, Light Duty & Performance Axle Shafts

This catalog includes a vast selection of O.E. quality replacement axle shafts for popular applications in today's aftermarket. Contact a representative for more information!

Or visit us online at:

worldamerican.com
midwesttruck.com

HEAVY DUTY CLUTCHES



Heavy Duty Clutch Catalog

A great replacement part resource for heavy duty clutches, clutch flywheels, clutch disks and center plates, clutch shafts, forks, brakes, input shafts, bushings, pilot bearings and more!

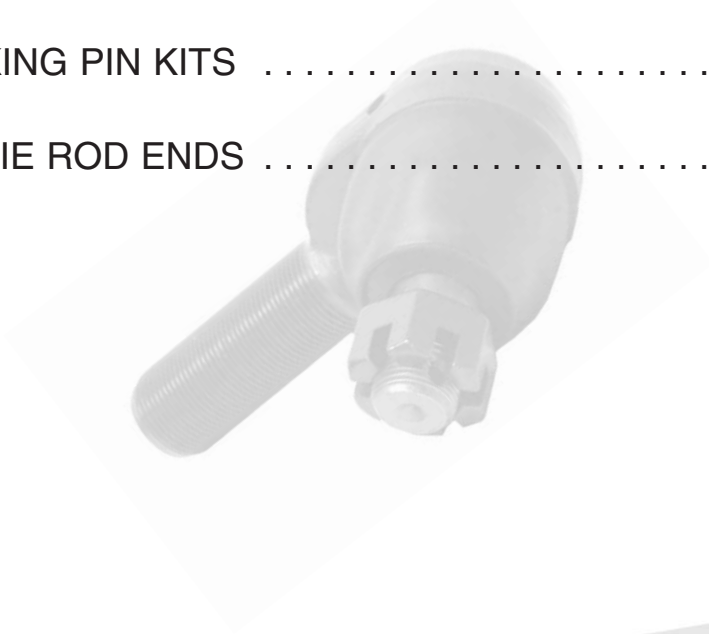
Contact a representative for more information!

Visit us online at:

worldamerican.com
midwesttruck.com

POWER STEERING TABLE OF CONTENTS

POWER STEERING REBUILD KITS40
POWER STEERING SECTOR SHAFTS41
DRAG LINKS41
KING PIN KITS42-44
TIE ROD ENDS45-46



POWER STEERING REBUILD KITS



WA4010

WA#	OEM REF.#	DESCRIPTION
WA4010	HF540000	HF54 PUMP MASTER KIT
WA4012	HF640000	HF64 PUMP MASTER KIT
WA4013	ERS28220	REPLACES EATON® MODEL "U" SERIES MASTER KIT
WA4014	923548	REPLACES VICKERS® V10 PUMP MASTER KIT
WA4015	922733	REPLACES VICKERS® V20 PUMP MASTER KIT



WA4015

WA4016	HFB520000	HFB52 PUMP MASTER KIT
WA4017	HFB640001	HFB64 PUMP MASTER KIT
WA4018	HFB70000	HFB70 PUMP MASTER KIT



WA4018

WA4019	7842832	REPLACES SAGINAW® ROTARY VALVE (ASTRO MASTER KIT)
WA4020	7842829	REPLACES SAGINAW® ROTARY VALVE - GENERAL & BRIGADIER® MASTER KIT
WA4021	TRW371-122A	REPLACES SHEPPARD® 392 - 3 & 4 SERIES MASTER KIT
WA4022	TRW371-122A	REPLACES SHEPPARD® 392 - 5 SERIES MASTER KIT
WA4024	TRW371-126A	REPLACES SHEPPARD® 392 - 3, 4 & 5 SERIES MASTER KIT



WA4021

WA4025	TRW371-125A	REPLACES SHEPPARD® 492 - PUMP MASTER KIT
WA4026	S518431	REPLACES SHEPPARD® 392 - 6 SERIES MASTER KIT
WA4033	TAS55	TAS-55 PUMP MASTER KIT



WA4025

WA4034	TAS650003	TAS-65 PUMP MASTER KIT
WA4035	1675138C91	TAS-85 MASTER REBUILD KIT
WA4036	1675137C91	TAS-40 PUMP REBUILD KIT
WA4037	1685195C91	REPLACES SHEPPARD® M100 PUMP KIT

POWER STEERING SECTOR SHAFTS

WA#	OEM REF#	DESCRIPTION
WATAS40	TAS40	SECTOR SHAFT
WATAS55	TAS56	SECTOR SHAFT
WATAS65	HFB64	SECTOR SHAFT
WATAS85	HFB70	SECTOR SHAFT
WAHF64	HF64/373-207	SECTOR SHAFT
WAM90	M90	SECTOR SHAFT
WAM100	M100	SECTOR SHAFT



WATAS40



WATAS55



WAHF64



WAM100



DRAG LINKS



WA346-196



WA346-240

WA#	TRW® REF#	MERITOR® REF#	EUCLID® REF#	AXLE MODEL	OEM REF#
MW346-189	346-189 DS908	R250025	E5325	7M, 9M, 12M, 16M, LENGTH 22.6"	D5HZ3304D E4HZ3304B E3HZ3304H
MW346-196	346-196 DS918	R250025	E6685	7M, 9M, 12M, 16M, LENGTH 18.4"	D7UZ3A130A
MW346-240	346-240 DS970	R250044	E5358	FA98, 101 LENGTH 14.75"	400745C91
MW346-249	346-249 DS979	R250051	E5366	BIG "S" SERIES FA109, FA226, 127 (02109)	480645C92
MW346-293	346-293 DS1034	R250066	E5370	FA71, 73, 101, 104	489023C91

KING PIN KITS



WAK163B

WA#	TRW® REF#	MERITOR® REF#	EUCLID® REF#	AXLE MODEL	BWP® REF#	OEM REF#
WAE6198	-----	-----	E6198B	(BRONZE BUSHING)	-----	-----
WAK163B	K463 300-128	R200011	E4435B	GMC® 1955-1962	M-2306 8885021	FAK4454 2321013
WAK450B	K450 300-125	R200144 (144)	E4434B	FE-900, 910 (BRONZE BUSHING)	M-2305	205SQIL 2264897 FAK4533



WAK466B

WAK466B	K466 300-129	R200012	E9311B	FORD® TRUCK 1957-1976	M-2307	FAK4455 B7Y3111A
WAK470B	K470 300-136	-----	-----	-----	-----	B7TZ3111A
WAK472B	K472A 300-136	R200014	E4437B	-----	-----	FAK4457



WAK477

WAK477	K477 300-140	R200142	E4438B	FORD® TRUCK 1957-1972	M-2363	B7TZ3111B FAK4459 BX23111F
WAK478	K478	-----	-----	-----	-----	B3TZ3111A
WAK492	K492	-----	-----	-----	-----	3853994 3829970



WAK493B

WAK493B	K493 300-155	R200018	E4440B	4700, 5000, 5500LB FORD® TRK 1963-83 (BRONZE BUSHING)	M-2310	FAK4461 C3TZ3111A
WAK505B	K505	-----	-----	DODGE®	-----	1450738
WAK534B	K534B 300-204	R200199 R200193	E4450B	FF-921, FA-228 12,000 LB.	M-2331 KIT 199	205SQ15 452344C91



WAK534B

WAK537B	K537 K-537	-----	-----	FORD® F600, F7000 7M, 9M	-----	D5TZ3111A
WAK538B	K538B 300-207	R200044	E4452B	FORD® 7000, 7500, 9000 LB. 1975-1984 (BRONZE BUSHING)	M-2334	FAK4487 D6TZ3111A
WAK539D	K539D 300-208	R200045	E4453N	F050, D600 1975-1984 (NYLON BUSHING)	M-2335	722166 FAK4488 15536398

KING PIN KITS



WAK538B



WAK539D



WAK541B



WAK547B



WAK548BN



WAK549B

WA#	TRW® REF#	MERITOR® REF#	EUCLID® REF#	AXLE MODEL	BWP® REF#	OEM REF#
WAK541B	K541B 300-210	R200170 (170)	E4454B	FL-901, FH-901, FA-182, FA136, 18,000 LB. (BRONZE BUSHING)	M-2336	205SQ12 303140C92
WAK547B	K547B 300-216	R200198 (198)	E4458B	FL-931, FA-931, FL-941 18,000 LB. (BRONZE BUSHING)	M-2339	474520C91 2036352
WAK548BN	K548B 300-217	R200061	E4459B	12,000 LB. (BRONZE BUSHING)	M-2340	D6HZ3111A FAK4494
WAK549B	K549B 300-218	R200052	E4460B	8,000 LB. I80 SINGLE DRAW KEY (BRONZE BUSHING)	M-2341	47369509 FAK4490 FAK5444
WAK562B	K562B 300-231	R200065	E4467B	FA-532, FA (W) 536, FA (W) 537 (BRONZE BUSHING)	M-2347	FAK4508
301SQ47C91						
WAK563B	K563B 300-232	R200195 (195)	E4468B	FF-931, FA-226 12,000 LB. (BRONZE BUSHING)	M-2348	549800C91 FAK4555 FAK4564 2010021
WAK567B	K567B 300-233	R200066	E4469B	F120, F100 (BRONZE BUSHING)	M-2350	8885856 FAK4509 8884521
WAK570B	K570B 300-240	R201300 (1300)	E4595B	FF-971, F100, F150 (BRONZE BUSHING)	M-2358	577684C91 KIT 1300 KIT 1303 FAK4560
WAK571B	K571B 300-248	R200073	E4697B	FA-309, F600 DOUBLE DRAW KEY (BRONZE BUSHING)	_____	586809C91 FAK5451
C7HZ23111A						FAK4516 309KK102
WAK574B	K547B 300-245	R200071	E4599B	FA (W) 616, 617 (BRONZE BUSHING)	_____	301SQ52
WAK583	K583 300-244	R201309 (1309)	E4695C	FG-931, 941, FF-931, 932, 933, 941, 942 14,600 LBS. (EZ STEER)	_____	FAK4566 1568118
WAK591B	K591B 300-267	R200250	_____	EFA22TA 22T5 / 22MLB AXLE	_____	811525B 1008500

KING PIN KITS



WAK562B

WA#	TRW® REF#	MERITOR® REF#	EUCLID® REF#	AXLE MODEL	BWP® REF#	OEM REF#
WAK602	K602 300-276	_____	E9941B	1100S, 1120S, DOUBLE DRAW KEY (BRONZE BUSHING)	M-2394	1668411C91 FAK5455

WAK609	K609 300-274	R200269	E4696B	EFA12F4	M-2389	FAK4572 806355B FAK4583
--------	-----------------	---------	--------	---------	--------	-------------------------------

WAK623	K623	_____	_____	_____	_____	_____
--------	------	-------	-------	-------	-------	-------



WAK563B

WAK722B	K722	_____	_____	GM® 1-TON, 1985-91 (BRONZE BUSHING)	_____	722166
---------	------	-------	-------	--	-------	--------

WAK823	K823	_____	_____	CHEVY® FG-943 1989-90	_____	_____
--------	------	-------	-------	--------------------------	-------	-------

WAK825	K825	_____	_____	FORD® F250, 1971-74	_____	E0TZ3111A
--------	------	-------	-------	---------------------	-------	-----------



WAK570B

WAK830	K830	_____	_____	BRIGADIER® 1975-82	_____	8885621
--------	------	-------	-------	--------------------	-------	---------

WAK852	K852	_____	_____	CHEVY® KODIAK - DIESEL	_____	12540329
--------	------	-------	-------	---------------------------	-------	----------



WAK567B



WAK572B

TIE ROD ENDS



WA187R



WA373L



WA373R



WA411L



WA431L



WA431R



WA2069

WA#	TRW® REF#	MERITOR® REF#	EUCLID® REF#	AXLE MODEL	OEM REF#
WA187L	ES187L 310-121	R230060 A3144Q225 A23144K193	E4610	FD, FE, F8900	C1TZ3A131C FTR187L 110362R91 10QH248P2
WA187R	ES187R 310-122	R230061 A3144Q226 A23144J192	E4611	FD, FE, FG900	C8TZ3A130 110363R91 FTR187R 10QH248
WA373L	ES373L 310-184	R230019	E4605	FA71, 73, 74, 101, 104, 103	C7TZ3A130D 450063C91 FTR373L 1660273C92
WA373R	ES373R 310-183	R230018	E4604	FA71, 73, 74, 101, 104, 103	C7TZ3A131D 450062C91 FTR373R 1660272C91
WA411L	ES411L 310-215	R230028 R230415	E4630	FA109, 118, 339 342, 309, 127, 341, 340, 329, 139, 337	FTR411L 1649637C91 507835C91
WA411R	ES411R 310-216	R230029	E4631	FA109, 118, 339, 342, 309, 127, 341, 340, 329, 139, 337	FTR411R 1649638C91 507836C91
WA423L	ES423L 310-222	R230068 A3144N458	E4614	FF941, 931, 932, 921, FA109, 309, 139, 329, 339	FTR423L 507837C91 E4HZ3A131A
WA423R	ES423R 310-223	R230069 A3144N456	E4615	FF941, 931, 932, 921, FA109, 309, 139, 329, 339	FTR423R 507838C91 E4HZ3A130A
WA431L	ES431L 310-229	R230071 A3144J297	E4616	FH901, FL901	FTR431L 969055R91 D0HZ3A131B 18QK28A
WA431R	ES431R 310-228	R230070 A3144K296	E4617	FH901, FL901	FTR431R 969056R91 18QK214P2
WA2069R	ES2069R 310-277	R230036	E4609	FORD® F90, 120, D, 9M	FTR2069R 2037140

TIE ROD ENDS



WA2070L



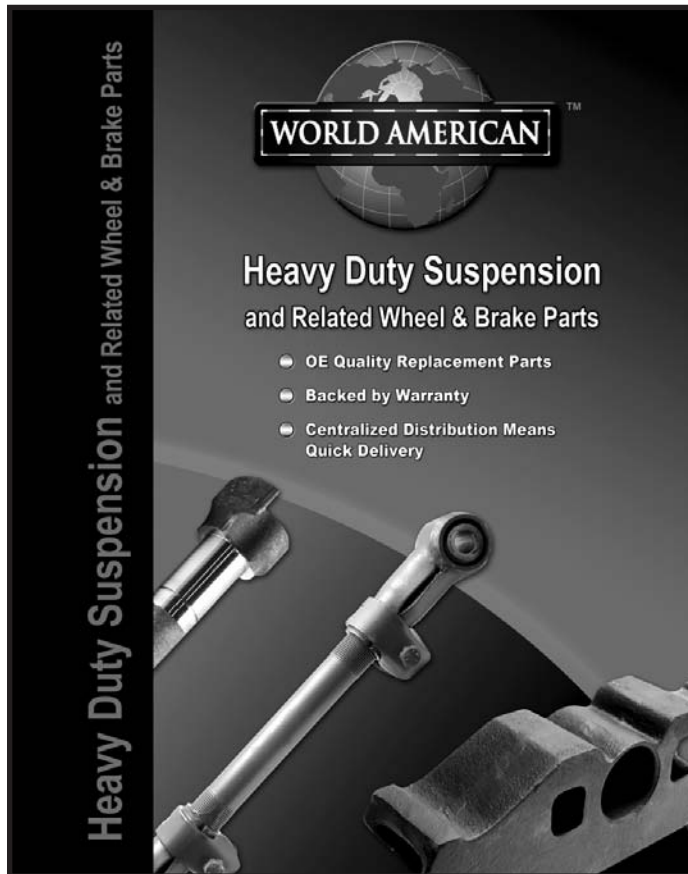
MW2090L



MW2091

<u>WA#</u>	<u>TRW®</u> REF#	<u>MERITOR®</u> REF#	<u>EUCLID®</u> REF#	<u>AXLE MODEL</u>	<u>OEM</u> REF#
WA2070L	ES2070L ES405L 310-278	R230037	E4608	FORD® F90, 120, D, 9MM	FTR2070L 2037142
WA2090L	ES2090L 310-283 ES3033L	R230072 A3144A547	E4628	FL941, 931, FH901	FTR2090L FTR3033L 590583C91 10QH312
WA2091R	ES2091R 310-284 310-434 ES3034R	R230073 A31442546	E4629	FL941, 931, FH901	FTR2091R 590584C91 10QH311 581063C91 442354C92 FTR3302R
WA3297R	ES3297R 310-286	R230247	E8758	EFA12F4	1009010
WA3298L	ES3298L 310-285	R230246	E8757	EFA12F4	1009009
WA3030R	ES3030R 310-395	R230104 A3144D550	E6856	FA231 W/ CAST WHEELS	1668480C91 FTR3030RA
WA3031L	ES3031L 310-396	R230105 A3144DD549	E6857	FA231 W/ CAST WHEELS	1668479C91 FTR3031LA
WA3297R	ES3297R	R230247	E8758	EFA12FR	1009010
WA3298L	ES3298L	R230246	E8757	EFA12F4	1009009

HEAVY DUTY SUSPENSION



Heavy Duty Suspension and Related Wheel & Brake Parts

Find all of your heavy duty suspension, wheel & brake parts here! Included are camshafts, hangers, seals, bushings, u-bolt kits, hub caps, torque arms, studs, nuts, lock rings and more!

World American also supplies:

- ▶ Gears & axle shafts
- ▶ Bearing kits
- ▶ Brakes
- ▶ Clutches
- ▶ Steering components
- ▶ Mid-range components
- ▶ Driveline
- ▶ Hydraulics PTO and dump pumps
- ▶ Airbrake valves
- ▶ Engine water pumps

VISIT US ONLINE TO VIEW ALL OF OUR PRODUCT OFFERINGS!

www.worldamerican.com



MIDWEST TRUCK & AUTO PARTS, INC.™ warrants that all new MIDWEST TRUCK & AUTO PARTS, INC.™, except as otherwise provided herein, will be free from defects in material and workmanship for the first **6 months or 50,000 miles, whichever occurs first, with the sole exception of its heavy duty alternators and starters, the warranty for which shall extend for the first year, with no mileage limit.** THIS WARRANTY WILL NOT APPLY IF ANY PART HAS BEEN MODIFIED, DAMAGED OR IS DEFECTIVE AS A RESULT OF ANY ACCIDENT, MISUSE, USE IN COMPETITIVE APPLICATIONS, IMPROPER INSTALLATION, NEGLIGENCE, REPAIR OR ALTERATION.

COMPETITION PARTS ARE SOLD "AS IS", WITHOUT ANY WARRANTY WHATSOEVER. IMPLIED WARRANTIES, INCLUDING WARRANTIES OF MERCHANTABILITY OR FITNESS FOR A PARTICULAR PURPOSE, ARE EXCLUDED. THE ENTIRE RISK AS TO THE QUALITY AND PERFORMANCE OF SUCH PARTS IS WITH THE BUYER. SHOULD SUCH PARTS PROVE DEFECTIVE FOLLOWING THEIR PURCHASE, THE BUYER AND NOT THE MANUFACTURER, DISTRIBUTOR OR RETAILER, ASSUMES THE ENTIRE COST OF ALL NECESSARY SERVICING OR REPAIR.

The MIDWEST TRUCK & AUTO PARTS, INC.™ parts warranty is voided if the part is used for competition or if it has been modified.

To make a warranty claim on parts used in non-competitive applications, distributors should contact MIDWEST TRUCK & AUTO PARTS, INC.™ distributor for a Return Goods Authorization (RGA) Number. **No returns will be accepted without an RGA Number.** All parts should be returned to MIDWEST TRUCK & AUTO PARTS, INC.™ freight prepaid. MIDWEST TRUCK & AUTO PARTS, INC.™ will issue a credit equal to the original purchase price for all defective parts covered by this warranty. In the event that a warranty claim cannot be substantiated by the MIDWEST TRUCK & AUTO PARTS, INC.™, the parts will be returned to the customer freight collect.

THIS WARRANTY IS IN LIEU OF ALL OTHER WARRANTIES, EXPRESSED OR IMPLIED, INCLUDING, BUT NOT LIMITED TO, ANY IMPLIED WARRANTY OF MERCHANTABILITY OR FITNESS FOR A PARTICULAR PURPOSE, AND IN NO EVENT WILL MIDWEST BE LIABLE FOR INCIDENTAL, SPECIAL OR CONSEQUENTIAL DAMAGES INCLUDING, BUT NOT LIMITED TO, ANY LABOR COSTS.